

Parts List

GR 4 8 1 / GR 5 3 1 / GR 5 3 2

INDEX

Fing. 1 Gear Case
Fing. 2 Gear Case (Inside, Outside)
Fing. 3 Safety Cover
Fing. 4-1 Wheel (GR481/GR531)
Fing. 4-2 Wheel (GR532)
Fing. 5 Handle
Fing. 6 Blade and Bag

Manufacturer ; OREC CO., LTD.

SOLE AGENT ; TECHNO GREEN LIMITED. OSAKA, JAPAN

A. Fig 1

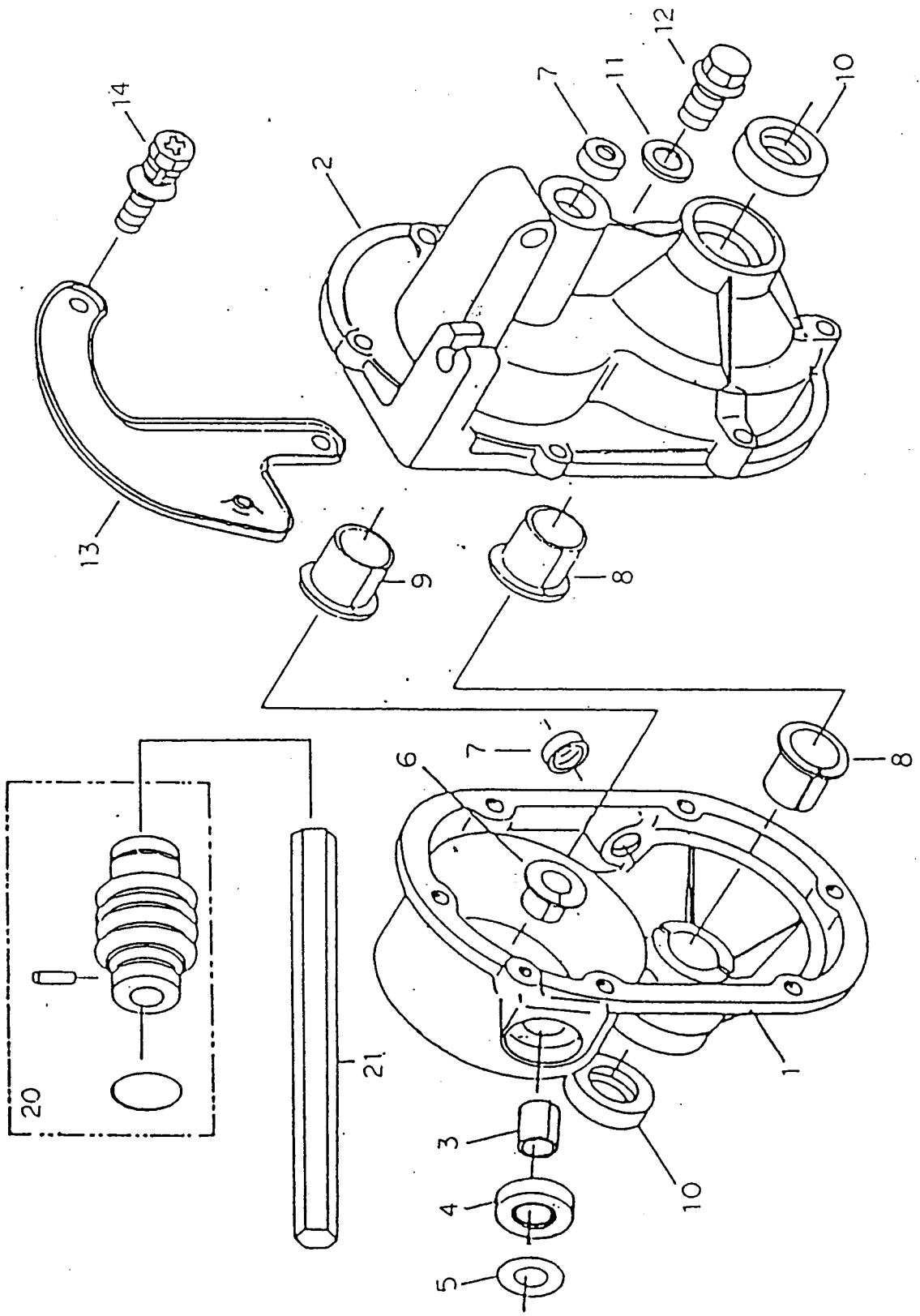


Fig 1. Gear Case

Ref.	Parts No.	Parts Name	Quantity						
			481			531		532	
			P	C	B	C	B	C	B
	80-1020-100-00	Gear Case Assembly		1	1	1	1	1	1
1	80-1020-101-00	Gear Case (Inside)		1	1	1	1	1	1
2	80-1020-103-00	Gear Case (Outside)		1	1	1	1	1	1
3	89-3512-010150	Metal DBB 10.15		1	1	1	1	1	1
4	89-5121-102007	Oil Seal UE10.20.7		1	1	1	1	1	1
5	83-1210-352-00	Thrust Washer 10X22X1.0		1	1	1	1	1	1
6	89-3511-012100	Metal DU 12.10.20F		1	1	1	1	1	1
7	89-5131-081404	Oil Seal KE8.14.4		2	2	2	2	2	2
8	89-3511-015150	Metal DU 15.15.23F		2	2	2	2	2	2
9	89-3511-016150	Metal DU 16.15.24F		1	1	1	1	1	1
10	89-5121-152507	Oil Seal UE15.25.7		2	2	2	2	2	2
11	83-1020-349-00	Packing 10.5X18X1.6		1	1	1	1	1	1
12	89-1254-100143	Flange Bolt M10X1.25X14		1	1	1	1	1	1
13	80-1020-198-10	Lock Arm Bracket B		1	1	1	1	1	1
14	89-1144-060223	Bolt and PW SW Assy M6X22		6	6	6	6	6	6
20	80-1020-515-00	Universal Joint NC-10-37C1		2	2	2	2	2	2
21	80-1020-522-10	Drive Shaft (K) 97L		1	1	1	1	1	1
	80-1020-525-00	Drive Shaft (H) 119L		1	1	1	1	1	1
	80-1020-526-00	Drive Shaft (H) 133L		1	1	1	1	1	1

Remarks ; P Push Type
 C With E/G Brake
 B With B.B.C.

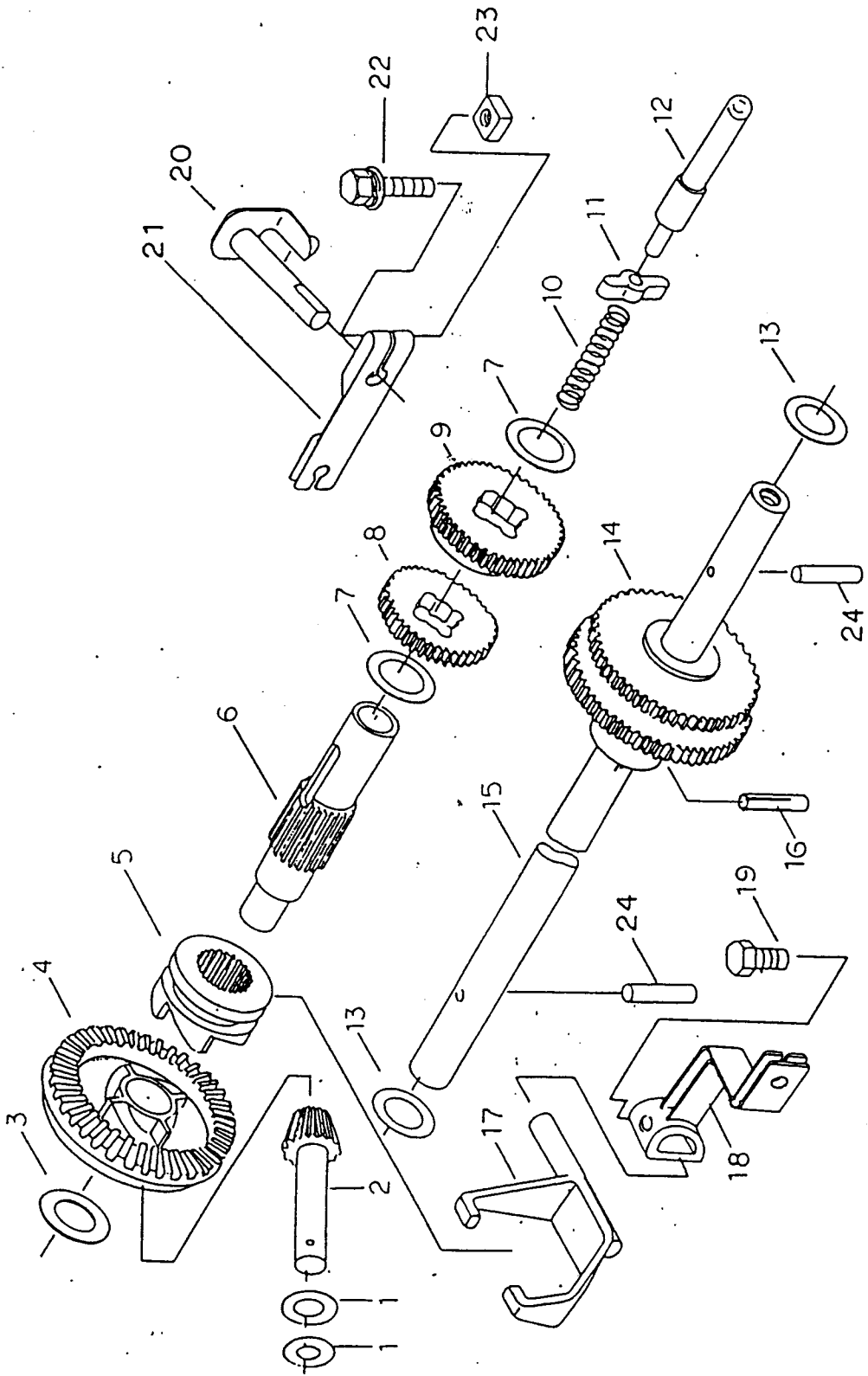


Fig 2. Gear Case (Inside, Outside)

Ref.	Parts No.	Parts Name	Quantity							
			481			531		532		
			P	C	B	C	B	C	B	
1	83-1020-351-00	Thrust Washer 10X18X1		2	2	2	2	2	2	2
2,4	80-1020-115-10	Pinion Bevel & Bevel Gear Assy		1	1	1	1	1	1	1
2	80-1020-116-10	Pinion Bevel		1	1	1	1	1	1	1
3	83-1020-355-00	Thrust Washer 12X24X1		1	1	1	1	1	1	1
4	80-1020-117-10	Bevel Gear 53-tooth		1	1	1	1	1	1	1
5	80-1020-119-10	Clutch for Drive		1	1	1	1	1	1	1
6	80-1020-118-20	Main Shaft		1	1	1	1	1	1	1
7	83-1020-363-00	Thrust Washer 16X24X1		2	2	2	2	2	2	2
8-9	80-1020-125-10	Gear Assy (Low and High)		1	1	1	1	1	1	1
8	80-1020-123-10	Gear (Low)		1	1	1	1	1	1	1
9	80-1020-121-10	Gear (High)		1	1	1	1	1	1	1
10	80-1020-161-00	Shaft Spring		1	1	1	1	1	1	1
11	80-1020-108-00	Change Guide		1	1	1	1	1	1	1
12	83-1020-107-00	Change Shaft		1	1	1	1	1	1	1
13	83-1020-361-00	Thrust Washer 15X24X1		2	2	2	2	2	2	2
14	80-1020-148-30	Axle Gear		1	1	1	1	1	1	1
15	80-1020-146-00	Axle		1	1	1	1	1	1	1
	80-1011-461-00	Axle VP	1							
16	83-1020-157-00	Spring Pin 5X25		1	1	1	1	1	1	1
17	80-1020-113-00	Clutch Fork		1	1	1	1	1	1	1
18	80-1020-153-10	Clutch Arm		1	1	1	1	1	1	1
19	89-1113-060123	Bolt 8T M6X12		1	1	1	1	1	1	1
20	80-1020-106-00	Shaft Arm		1	1	1	1	1	1	1
21	80-1020-193-10	Change Arm		1	1	1	1	1	1	1
22	89-1144-060253	Bolt & PW SW Assy M6X25		1	1	1	1	1	1	1
23	83-1020-198-00	Square Nut M6		1	1	1	1	1	1	1
24	89-2142-050250	Spring Pin 5X25		2	2	2	2	2	2	2

C. FIGS

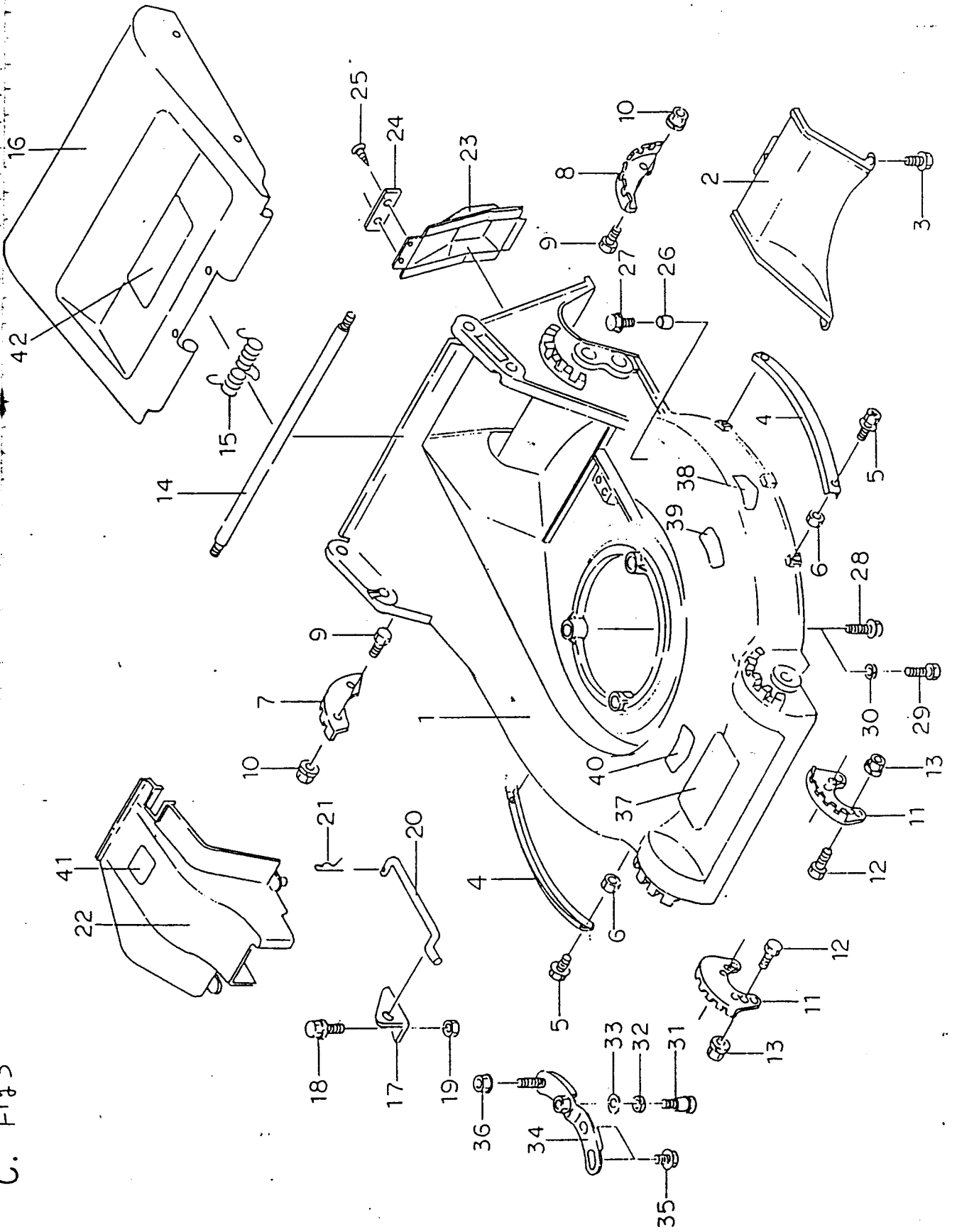


Fig 3. Safety Cover

Ref.	Parts No.	Parts Name	Quantity						
			481			531		532	
			P	C	B	C	B	C	B
1	80-1010-731-00	Cover (Body) 480	1	1	1				
	80-1022-731-00	Cover (Body) 531				1	1	1	1
2	80-1010-714-00	Guide 480	1	1	1				
	80-1022-714-00	Guide 531				1	1	1	1
3	83-1020-143-00	Tapping Bolt M8X18	3	3	3				
	83-1020-148-00	Tapping Bolt M6X14				3	3	3	3
4	80-1010-741-00	Under Guide 480	2	2	2				
5	89-1133-060163	Bolt & PW SW Assy M6X16	4	4	4				
6	89-1511-060043	Nut M6	4	4	4				
7	80-1022-748-00	Ajustment Plate for Rear Wheel(R)				1	1	1	1
8	80-1022-747-00	Ajustment Plate for Rear Wheel(L)				1	1		
9	89-1113-060143	Bolt 8T M6X14				4	4	2	2
10	89-1541-060003	Nut SW M6				4	4	2	2
11	80-1022-745-00	Ajustment Plate for Front Wheel				2	2		
12	89-1113-060143	Bolt 8T M6X14				4	4		
13	89-1541-060003	Nut SW M6				4	4		
14	80-1020-207-10	Rear Cover Shaft	1	1	1	1	1	1	1
15	80-1020-753-00	Rear Cover Spring	1	1	1	1	1	1	1
16	80-1022-751-00	Rear Cover	1	1	1	1	1	1	1
17	80-1020-705-30	Lock Arm Bracket A		1	1	1	1	1	1
18	89-1132-080253	Bolt SW M8X25		2	2	2	2	2	2
19	89-1511-080043	Nut M8		2	2	2	2	2	2
20	80-1020-707-20	Lock Arm		1	1	1	1	1	1
21	89-2131-080002	Snap Pin 8		1	1	1	1	1	1
22	80-1020-733-00	Front Cover Gear Case	1	1	1				
	80-1022-733-00	Gear Case Cover (H)				1	1	1	1
	80-1022-734-00	Gear Case Cover (K)				1	1	1	1
23	80-1020-735-00	Rear Cover Gear Case	1	1	1				
24	80-1020-736-00	Stabilizer for Rear Cover	1	1	1				
25	89-1162-050163	Tapping Screw 5X16	2	2	2				
26	80-1024-952-00	Spacer 6*10						1	1
27	83-1515-148-00	Tapping Bolt M6X22						1	1
28	89-1133-100503	Bolt & PW SW M10X50 (K)	3	3	3	3	3	3	3
29	83-1020-116-00	Bolt 5/16-24X45UNF (H)	2	2	2	2	2	2	2
30	89-1750-080003	Spring 8 (H)	2	2	2	2	2	2	2
31	80-1010-789-00	Engine Setting Bolt	1	1	1	1	1	1	1
32	89-1750-100003	Spring Washer 10 (H)	1	1	1	1	1	1	1
33	89-1711-100003	Spring 10 (H)	1	1		1		1	
34	80-1020-721-00	Honda Engine Setting Stay (H)	1	1	1	1	1	1	1
35	83-1020-148-00	Tapping Bolt M6X14	2	2	2	2	2	2	2
36	83-1310-191-00	Nut M8 (H)	1	1	1	1	1	1	1
37	80-1020-902-00	Lable	1	1	1	1	1	1	1
38	80-1020-926-00	Danger Lable	2	2	2				
	80-1020-927-00	Danger Lable				2	2	2	2
39	80-1020-907-00	Step Lable	1	1	1	1	1	1	1
40	80-1020-928-00	Notice Lable (Plug)	1	1	1	1	1	1	1
41	80-1022-909-00	Notice Lable (Cover)	1	1	1	1	1	1	1
42	80-1020-929-00	Notice Lable (Cover)	1	1	1	1	1	1	1

Fig. 4

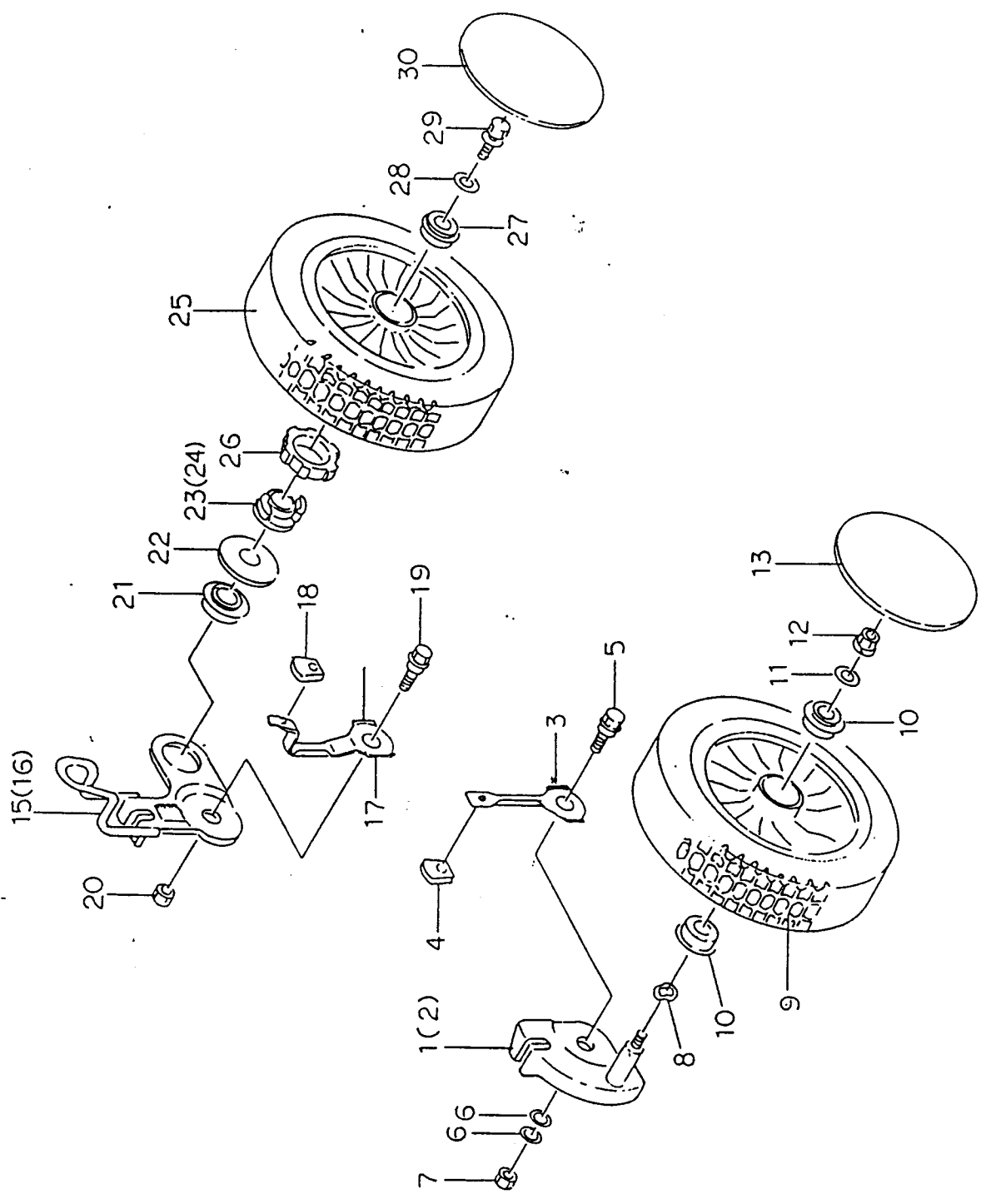


Fig 4-1. Wheel (GR481/531)

Ref.	Parts No.	Parts Name	Quantity						
			481			531		532	
			P	C	B	C	B	C	B
1	80-1021-404-10	Front Wheel Arm (Left)	1	1	1	1	1		
2	80-1021-405-10	Front Wheel Arm (Right)	1	1	1	1	1		
3	80-1020-424-10	Front Wheel Arm Stopper	2	2	2				
	80-1022-424-00	Front Wheel Arm Stopper				2	2		
4	80-1020-426-10	Grip	2	2	2	2	2		
5	80-1020-406-10	Arm Bolt	2	2	2	2	2		
6	83-1020-395-00	Washer 8X12X0.8							
7	89-1551-080003	U-Nut M8	2	2	2	2	2		
8	83-1022-369-00	Washer 12	2	2	2	2	2		
9-10	80-1022-421-00	Front Wheel Assy	2	2	2	2	2		
9	80-1022-407-00	Front Wheel	2	2	2	2	2		
10	80-1022-431-00	Bearing KL-4.12	4	4	4	4	4		
11	89-1713-080003	Washer 8	2	2	2	2	2		
12	89-1541-080003	Nut SW M8	2	2	2	2	2		
13	80-1022-441-00	Wheel Cap	2	2	2	2	2		
15	80-1020-414-20	Rear Wheel Arm (Left)	1	1	1				
	80-1022-414-00	Rear Wheel Arm (Right)				1	1		
16	80-1020-415-20	Rear Wheel Arm (Left)	1	1	1				
	80-1022-415-00	Rear Wheel Arm (Right)				1	1		
17	80-1022-425-00	Rear Wheel Arm Stopper	2	2	2	2	2		
18	80-1020-426-10	Grip	2	2	2	2	2		
19	80-1020-406-10	Arm Bolt	2	2	2	2	2		
20	89-1551-080003	U-Nut M8	2	2	2	2	2		
21	83-1020-987-00	Bearing ND-02S	2	2	2	2	2		
22	80-1020-433-00	Coned Disc Spring		2	2	2	2		
23	80-1020-458-00	Ratchet Assy (Left)		1	1	1	1		
24	80-1020-459-00	Ratchet Assy (Right)		1	1	1	1		
25,27	80-1022-421-00	Front Wheel Assy	2						
25	80-1022-407-00	Front Wheel	2						
27	80-1022-431-00	Bearing KL-4.12	4						
25-27	80-1022-422-00	Rear Wheel Assy		2	2	2	2		
25	80-1022-408-00	Rear Wheel		2	2	2	2		
26	80-1020-409-00	Clutch Guide		2	2	2	2		
27	80-1022-432-00	Bearing KL-4.15		2	2	2	2		
28	89-1713-080003	Washer 8	2	2	2	2	2		
29	89-1132-080203	Bolt SW M8X20	2	2	2	2	2		
30	80-1022-441-00	Wheel Cap	2	2	2	2	2		

Remark ; Push Type

(25, 27) Front Wheels are used for Rear Wheel

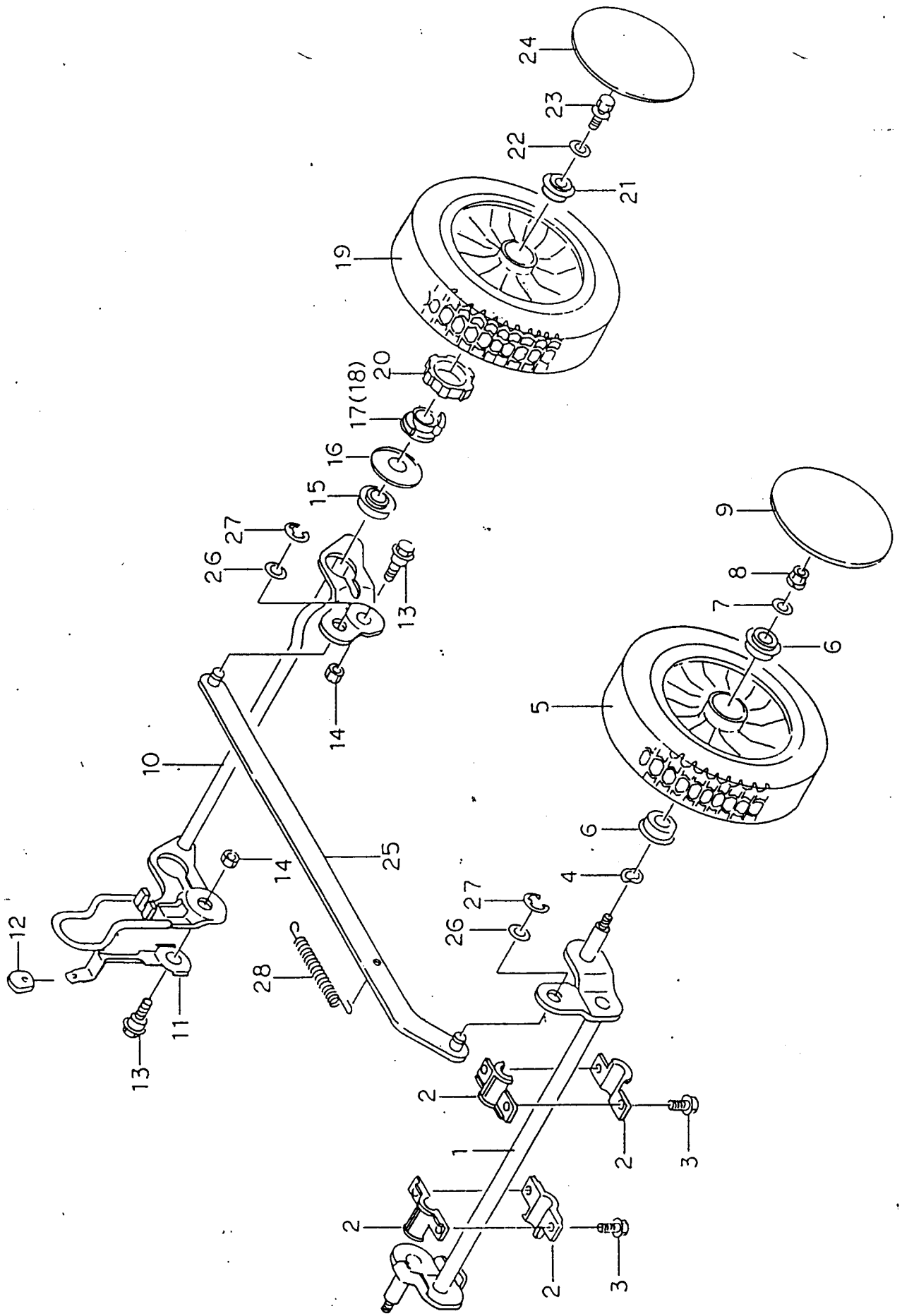


Fig 4-2. Wheel (GR532)

Ref.	Parts No.	Parts Name	Quantity						
			481			531		532	
			P	C	B	C	B	C	B
1	80-1023-405-00	Front Wheel Arm						1	1
2	80-1023-742-00	Arm Bush						4	4
3	83-1020-148-00	Tapping Bolt M6X14						4	4
4	83-1022-369-00	Washer 12						2	2
5-6	80-1022-421-00	Front Wheel Assy						2	2
5	80-1022-407-00	Front Wheel						2	2
6	80-1022-431-00	Bearing KL-4.12						4	4
7	89-1713-080003	Washer 8						2	2
8	89-1541-080003	Nut SW M8						2	2
9	80-1022-441-00	Wheel Cap						2	2
10	80-1023-415-00	Rear Wheel Arm						1	1
11	80-1022-425-00	Rear Wheel Arm Stopper						1	1
12	80-1020-426-10	Grip						1	1
13	80-1020-406-10	Arm Bolt						2	2
14	89-1551-080003	U-Nut M8						2	2
15	83-1020-987-00	Bearing ND-02S						2	2
16	80-1020-433-00	Coned Disc Spring						2	2
17	80-1020-458-00	Ratchet Assy (Left)						1	1
18	80-1020-459-00	Ratchet Assy (Right)						1	1
19-21	80-1022-422-00	Rear Wheel Assy						2	2
19	80-1022-408-00	Rear Wheel						2	2
20	80-1020-409-00	Clutch Guide						2	2
21	80-1022-432-00	Bearing KL-4.15						2	2
22	89-1713-080003	Washer 8						2	2
23	89-1132-080203	Bolt & PW SW M8X20						2	2
24	80-1022-441-00	Wheel Cap						2	2
25	80-1023-416-00	Bar						1	1
26	89-1713-100003	Washer 10						2	2
27	89-2521-000083	Stop Ring E						2	2
28	80-1023-417-00	Spring						1	1

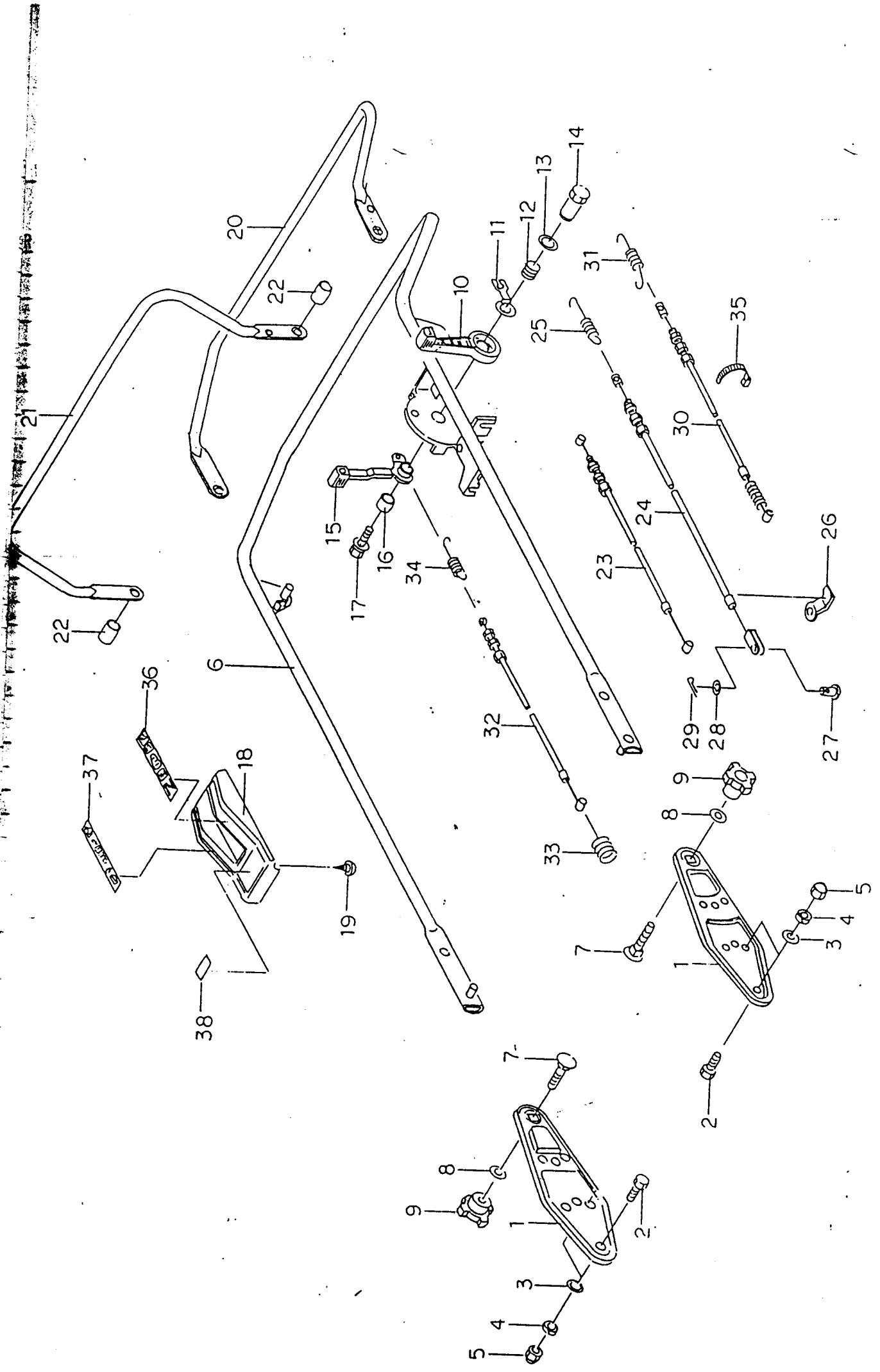


Fig. 5 Handle

Ref.	Parts No.	Parts Name	Quantity						
			481			531		532	
			P	C	B	C	B	C	B
1	80-1022-201-00	Setting Plate for Handle	2	2	2	2	2	2	2
2	89-1113-080253	Bolt 8T M8X25	2	2	2	2	2	2	2
3	89-1711-080003	Washer 8	4	4	4	4	4	4	4
4	89-1750-080003	Spring Washer 8	4	4	4	4	4	4	4
5	89-1571-080043	Cap Nut M8	4	4	4	4	4	4	4
6	80-1022-221-00	Handle B			1		1		1
	80-1022-224-00	Handle C	1	1		1		1	
7	89-1412-080403	Bolt M8X40	2	2	2	2	2	2	2
8	89-1711-080003	Washer 8	2	2	2	2	2	2	2
9	80-1020-228-10	Nob Nut M8	2	2	2	2	2	2	2
10	80-1020-261-00	Throttle Lever (K)	1	1	1	1	1	1	1
	80-1020-265-00	Throttle Lever (H)	1	1	1	1	1	1	1
11	80-1020-264-00	Control Washer	1	1	1	1	1	1	1
12	80-1020-263-00	Control Shaft Spring	1	1	1	1	1	1	1
13	89-1711-120003	Washer 12	1	1	1	1	1	1	1
14	80-1020-262-00	Control Shaft	1	1	1	1	1	1	1
15	80-1020-260-00	Change Lever		1	1	1	1	1	1
16	80-1020-270-00	Inner Collar		1	1	1	1	1	1
17	89-1133-080303	Bolt & PW SW M8X30		1	1	1	1	1	1
	89-1133-080163	Bolt & PW SW M8X16	1						
18	80-1020-231-00	Control Cover	1	1	1	1	1	1	1
19	89-1161-050123	Tapping Screw 5X12	2	2	2	2	2	2	2
20	80-1022-241-00	Drive Lever		1	1	1	1	1	1
21	80-1022-251-00	Blade E/G Lever		1	1	1	1	1	1
22	80-1022-951-00	Spacer 8X13		2	2	2	2	2	2
23	83-1022-952-00	Throttle Wire (K)	1	1	1	1	1	1	1
	83-1022-955-00	Throttle Wire (H)			1		1		
24	83-1022-945-00	Blade Wire		1	1	1	1	1	1
	83-1022-958-00	E/G Brake Wire (K)		1		1		1	
25	80-1021-968-10	Blade Spring VB		1	1	1	1	1	1
26	80-1010-717-00	Blade Wire Setting			1		1		1
27	89-2181-060162	Pin 6X16			1		1		1
28	89-1711-060002	Washer 6			1		1		1
29	89-2120-200152	Split Pin 2X15			1		1		1
30	83-1022-932-00	Drive Wire		1	1	1	1	1	1
31	80-1020-966-10	Drive Clutch Spring		1	1	1	1	1	1
32	83-1022-936-00	Drive Change Wire		1	1	1	1	1	1
33	80-1020-969-00	Change Return Spring		1	1	1	1	1	1
34	80-1020-967-00	Drive Change Spring		1	1	1	1	1	1
35	83-1415-718-00	Wire Band	2	2	2	2	2	2	2
36	80-1020-911-00	Throttle Lable (K)	1	1	1	1	1	1	1
	80-1020-913-00	Throttle Lable (H)		1	1	1	1	1	1
37	80-1020-912-00	Change Lable		1	1	1	1	1	1
38	80-1020-903-00	Lable (Small)		1	1	1	1	1	1

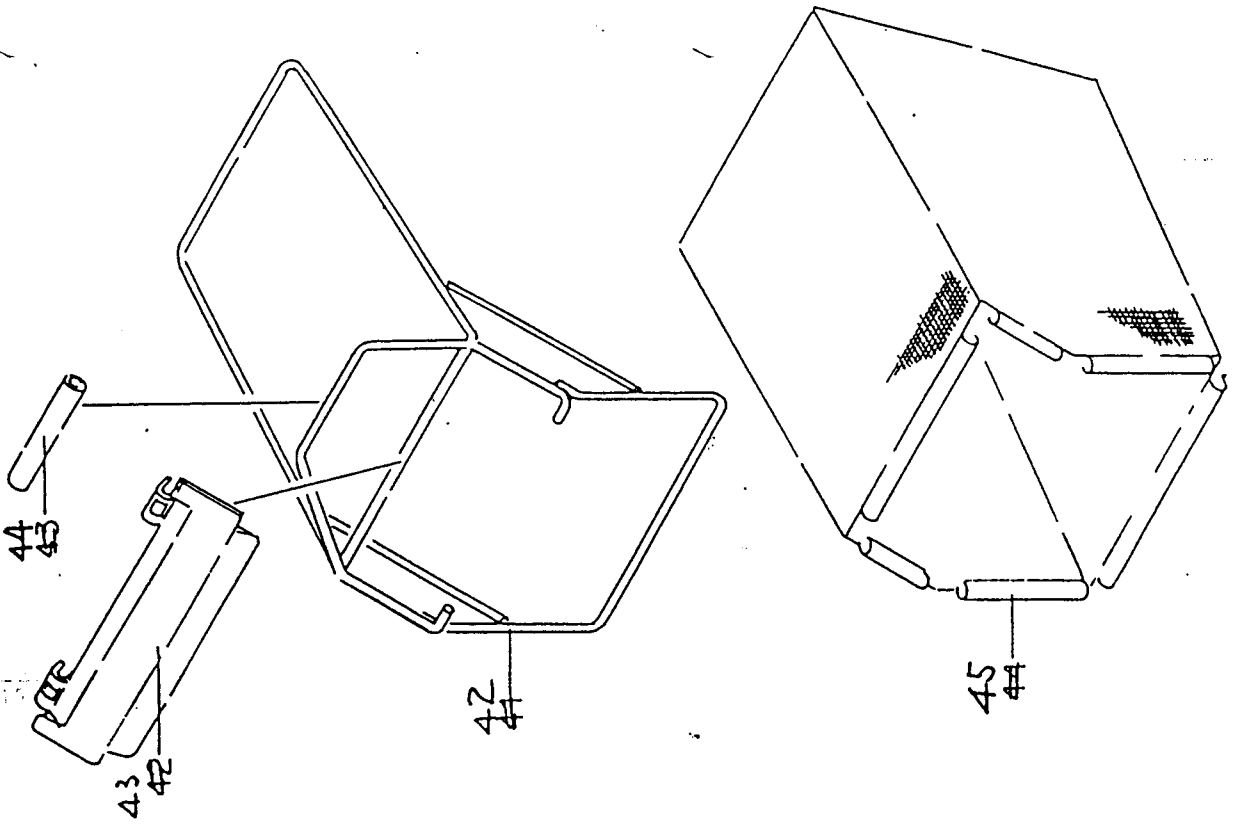
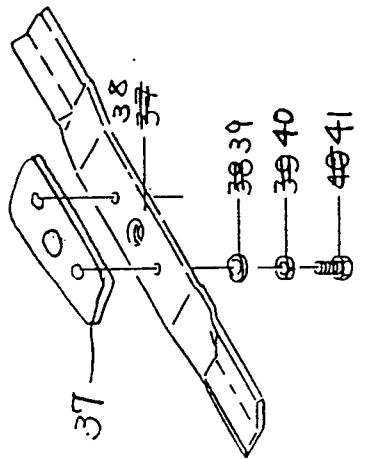
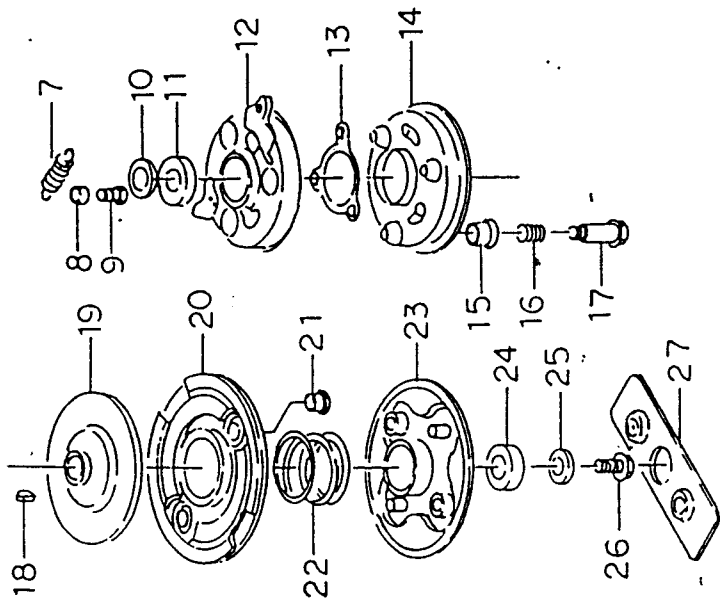
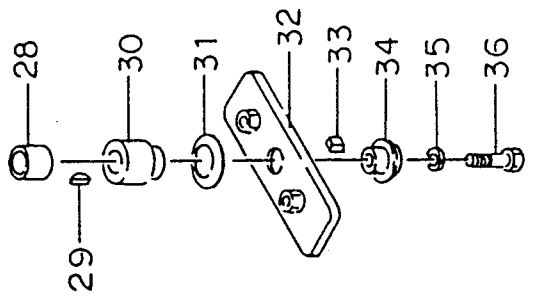
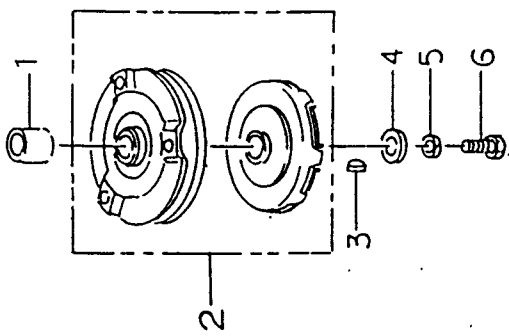


Fig. 6 Blade & Bag

Ref.	Parts No.	Parts Name	Quantity						
			481			531		532	
			P	C	B	C	B	C	B
1	80-1020-944-00	B.B.C. Collar (K) 29.5L			1		1		1
2	80-1020-943-00	B.B.C. Assy (K)			1		1		1
3	80-1020-892-00	Woodruff Key 4X16			1		1		1
4	83-1610-321-00	Washer 10X36X4.5			1		1		1
5	89-1750-100003	Spring Washer 10 (K)			1		1		1
6	83-1020-118-00	Bolt 3/8-24X32UNF (K)			1		1		1
7	80-1020-871-00	Clutch Return Spring (H)			2		2		2
8	80-1020-872-00	Collar (H)			2		2		2
9	83-1020-148-00	Tapping Bolt M6X14 (H)			2		2		2
10	80-1020-874-00	Thrust Washer 22X32X3 (H)			1		1		1
11	80-1020-875-00	Ball Bearing (H)			1		1		1
12	80-1020-876-00	Control Plate with Bearing (H)			1		1		1
13	80-1020-877-00	Ball Retainer (H)			1		1		1
14	80-1020-878-00	Brake Disc with Bush (H)			1		1		1
15	80-1020-879-00	Bush (H)			3		3		3
16	80-1020-881-00	Brake Spring (H)			3		3		3
17	80-1020-882-00	Brake Setting Bolt (H)			3		3		3
18	80-1020-892-00	Woodruff Key 4X16 (H)			1		1		1
19	80-1020-883-00	Drive Disc (H)			1		1		1
20	80-1020-884-00	Driven Disc with Bush (H)			1		1		1
21	80-1020-885-00	Bush (H)			2		2		2
22	80-1020-886-00	Clutch Spring (H)			1		1		1
23	80-1020-887-00	Blade Holder with Bearing (H)			1		1		1
24	80-1020-888-00	Ball Bearing (H)			1		1		1
25	83-1020-323-00	Washer 10X30X4.5			1		1		1
26	89-1254-100252	Flange Bolt M10X1.25X25 (H)			1		1		1
27	80-1020-843-00	Blade Spacer 7H (H)			1		1		1
28	80-1020-808-00	Blade Bracket Collar (K) 30L	1	1			1		1
	80-1020-816-00	Blade Bracket Collar (H) 20L	1	1			1		1
29	80-1020-892-00	Woodruff Key 4X16	1	1			1		1
30	80-1020-833-00	Blade Bracket Receiver (K)	1	1			1		1
	80-1020-837-00	Blade Bracket Receiver (H)		1			1		1
31	89-1852-280001	Belleville Spring H28	1	1			1		1
32	80-1020-807-10	Blade Bracket	1	1			1		1
33	89-2151-040150	Key 4X15 (K)	1	1			1		1
	89-2151-040090	Key 4X9 (H)	1	1			1		1
34	80-1020-835-00	Blade Bracket Stopper (K)	1	1			1		1
	80-1020-836-00	Blade Bracket Stopper (H)	1	1			1		1
35	89-1750-100003	Spring Washer 10	1	1			1		1
36	83-1020-115-00	Bolt 3/8-24X50UNF (K)	1	1			1		1
	89-1254-100402	Flange Bolt M10X1.25X40 (H)		1			1		1
37	80-1022-845-00	Blade Spacer 3H (K)	1	1	1		1	1	1
	80-1022-845-00	Blade Spacer 3H (H)		1			1		1
38	80-1010-821-10	Blade 480	1	1	1				
	80-1020-821-10	Blade 530					1	1	1

Fig. 6' Blade & Bag

Ref.	Parts No.	Parts Name	Quantity						
			481			531		532	
			P	C	B	C	B	C	B
39	89-1711-100003	Washer 10 (K)	2	2	2	2	2	2	2
	89-1711-100003	Washer 10 (H)		2		2		2	
40	89-1750-100003	Spring Washer 10 (K)	2	2	2	2	2	2	2
	89-1750-100003	Spring Washer 10 (H)		2		2		2	
41	89-1113-100253	Bolt 8T M10X25 (K)	2	2	2	2	2	2	2
	89-1113-100253	Bolt 8T M10X25 (H)		2		2		2	
	89-1254-100252	Flange Bolt M10X1.25X25 (H)			2		2		2
42	80-1022-851-00	Bag Frame	1	1	1	1	1	1	1
43	80-1022-854-00	Bag Plate	1	1	1	1	1	1	1
44	80-1020-854-00	Grip for Bag Frame	1	1	1	1	1	1	1
45	80-1022-853-00	Bag	1	1	1	1	1	1	1